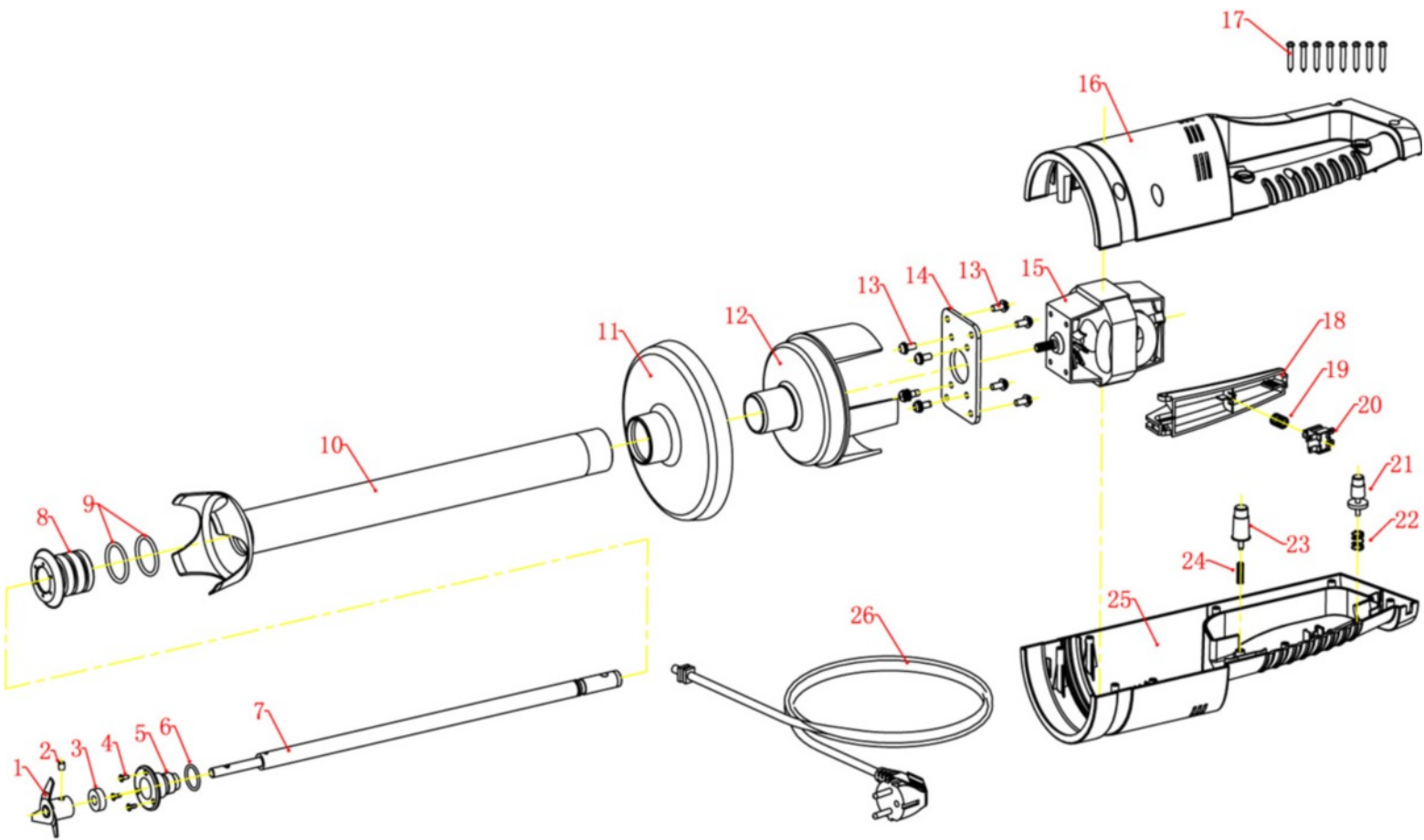


Exploded Diagram - CK0103



1.	ASM Blade	14.	Connect Board
2.	Bolt M5×8	15.	Motor
3.	Oil seal 8×20×7	16.	Up Cover
4.	Self Screw 3×9	17.	Self Screw 4×25
5.	Cover for blending	18.	Button for switch
6.	o-shape sealing 18×2	19.	Spring for switch
7.	Pole for blending	20.	Switch
8.	Axle sleeve	21.	Button for working
9.	o-shape sealing 30×3	22.	Spring for working
10.	Tube	23.	Button for holding
11.	Cover for protecting	24.	Spring for holding
12.	Holder for Motor	25.	Low Cover
13.	ASM Bolt 5×12	26.	Power Cord